

Camera Manufacturer Notes

Axis • An ONVIF admin account must be created via the camera's web interface or using Axis Camera Tools. Any login to an Axis camera via its web interface will **disable ONVIF**.

HIKVision • If HIKVision's illegal lock is enabled the username and password of the camera must be entered into the Eagle Eye password locker prior to placing the camera on the same network as the bridge or the illegal lock will be activated. We recommend disabling HIKVision's illegal lock on all cameras.
• Camera Setup: Configure HIKVision cameras using a separate network within the subnet of the camera's default static IP. Check HIKVision documentation for Firmware and default IP address.

Samsung • Must be powered on after the bridge is powered on in order to be properly discovered.

Sony • The second stream must be enabled to deliver JPEG images for the preview stream.

If one of your cameras is not supported, please request support for it. Click the email icon and fill out the form. You must leave the camera on and bridge powered up until the camera is supported.

For a list of supported cameras:

www.EagleEyeNetworks.com/support/camera-compatibility/

support@EagleEyeNetworks.com +1-512-473-0501



Version 20170106

Eagle Eye Networks, Inc. 4611 Bee Caves Rd, Suite 200, Austin, TX 78746

Phone: +1-512-473-0500 www.EagleEyeNetworks.com

Copyright 2016 Eagle Eye Networks, Inc. All rights reserved. Use of this product and this manual is subject to license.

Eagle Eye Bridge is a trademark of Eagle Eye Networks, Inc.



Eagle Eye Bridge Quickstart Guide

The Eagle Eye Bridge is a smart device that connects to your security cameras, records the video, and transmits it to the Eagle Eye Cloud securely. You access your video and manage your cameras from web browser or mobile device. The Eagle Eye Bridge is physically installed on your network and assigned an IP address.

1

Getting Started

We recommend reading these instructions fully before starting. You will need the following:

- Eagle Eye Bridge (supplied)
- AC Power Cord (supplied)
- Ethernet Cables (not included)

If you require a static IP address on the Bridge, you will also need:

- Monitor
- USB Keyboard

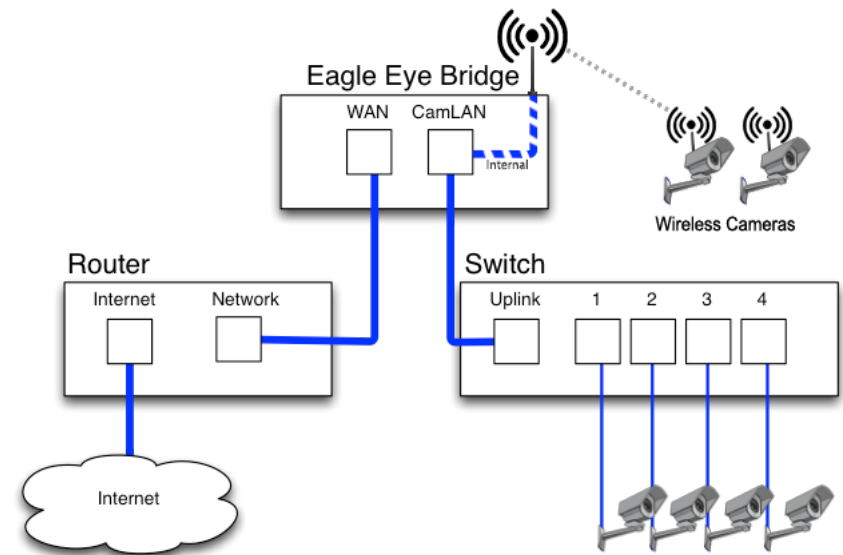


Figure 1 Suggested Connection

Serial Number:

Model:

Attach ID:

2

Physical Installation

1. Place the Eagle Eye Bridge in a secure location. Mount it.
2. Connect an Ethernet Cable from your network switch to the WAN port on the back of the Eagle Eye Bridge. Do NOT connect the CamLAN into your local network. The CamLAN is designed for cameras only and serves DHCP.
3. Connect the power cord to the Eagle Eye Bridge.
4. The Bridge should power up automatically. Pressing the power button will power down the bridge after a few seconds. If powered off, pressing the power button will turn on the Bridge.

3

Configure IP Address and Network Settings

By default the Eagle Eye Bridge obtains a DHCP address from your network. If you require a static IP address please follow these instructions:

1. Connect the monitor and keyboard to the Eagle Eye Bridge.
2. Login to the Administrative Console:
 - **Login:** admin
 - **Password:** <last 5 digits of serial number>
3. Configure the **IP Address, Subnet Mask, Default Gateway, Primary DNS Server** and **Secondary DNS Server** as appropriate for your network.

4

Open Firewall Ports

If your Eagle Eye Bridge is located behind a highly secure corporate firewall, open the following outbound ports on your firewall:

Port	Direction	TCP	UDP	Usage
80	Out	Yes	No	Secure Video Connection
443	Out	Yes	No	Secure Video Connection
22	Out	Yes	No	Management Connection
8081	Out	Yes	No	Secure Video Connection
8082	Out	No	Yes	Secure Video Connection

5

Login to Your Eagle Eye Account

Using a web browser, go to <https://EagleEyeNetworks.com/login>. Login using your email address and password. If you have never logged in before, you will need to verify your email address. Call Eagle Eye support if you do not have a login.

6

Add Eagle Eye Bridge to your Eagle Eye Account

The Eagle Eye Bridge may have already been added to your account (it will appear at the bottom of the Dashboard page). If so, you can skip to the next step. If the Eagle Eye Bridge has not been added, click "Add Bridge" and enter the 16-digit Eagle Eye Attach ID on the front of this guide, and name your bridge.

7

Camera Setup

Before trying to add cameras to the Eagle Eye Bridge we strongly recommend setting up the cameras. Cameras should:

1. Be plugged in and powered on (via POE or power supply).
2. Be reset to factory default if not a new camera.
3. Be configured to use DHCP IP addresses (or have non-conflicting Static IP addresses).

4. Have secure Web GUI passwords that are not the default!
5. Have WiFi SSID and password set for your network or Bridge.

8

Connect Cameras via Ethernet

The recommended method of setup is shown in Figure 1. Eagle Eye recommends putting your camera on a physically separate network called the CamLAN. The Eagle Eye Bridge provides DHCP addresses on the CamLAN. Alternatively, cameras can be connected to the same network as the Bridge WAN.

Cameras that have a valid IP address (either DHCP or static) appear in the Eagle Eye Dashboard and can be added to your Account.

9

Connect Network Cameras via WiFi (if WiFi bridge)

The bridge has two WiFi networks. An SSID "EagleEyeDiscovery" is open with no security. The second SSID starts with "EagleEyeSecured_" and ends with a unique number. This secure network requires a user name and password.

1. From the Dashboard, select the gear icon next to the bridge to access bridge settings. Select the "Cam WiFi" tab. Note the "EagleEyeSecured" SSID and password.
2. Power on camera. Login to the camera and enter the SSID and password to connect it via WiFi. Typically this is done with Ethernet cable.
3. Disconnect Ethernet and power cycle camera.

Notes:

Do not power up two 304W bridges within WiFi range of each other without turning off the open SSID "EagleEyeDiscovery" in the bridge settings by un-checking the box next to "Discovery."

10

Connect Analog Cameras (if Analog Bridge)

Use the included VGA-to-BNC cable and connect to the Bridge. BNC ends are labeled with their video input. All Analog inputs will appear as available cameras on the Dashboard. Unused inputs can be hidden from the Dashboard in the Bridge settings under the Analog tab.

11

Add Cameras to your Eagle Eye Account

Go to your Dashboard and select the + sign next to the cameras you want to add to your account. Enter the camera ONVIF username and password if needed. See manufacturer notes on next page.

If WiFi Bridge, disable the "EagleEyeDiscovery" network after all cameras have been added.

Add Tags and Configure Cameras

From the Dashboard select the Gear icon and adjust the settings of your camera. Create tags on your cameras to organize them into groups.

Enjoy your video and ease of access

You can download our application in the Apple App Store or the Google Play store. Look for "Eagle Eye Viewer." www.EagleEyeNetworks.com/downloads